

Duplex Unit Type 5000

(Code: G303)

For Machine Code: G071

INSTALLATION GUIDE

📄 Preparation

For a safe operation, read "*Safety Information*" in Maintenance Guide 1.

Install the Interchange Unit before installing the Duplex Unit. The Duplex Unit cannot be installed without the Interchange Unit installed in advance.

⚠️ CAUTION:

- The inside of the machine becomes very hot. Do not touch the parts with a label indicating "⚠️" (means hot surface). Touching "⚠️" (means hot surface) could result in a burn.
- When installing the Duplex Unit, do not release the unit until it is fastened firmly in place. It may cause the unit to fall and result in an injury.

🔧 Important

- Check the printer nameplate to confirm the model code.

1 Turn off the power switch, and then unplug the power cable from the wall outlet.

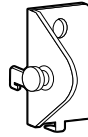
2 Remove the adhesive tapes.

📌 Note

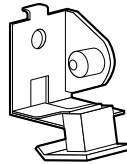
- Do not remove the tape that is tying the cable. It will be removed in step **3**.

3 Check the contents.

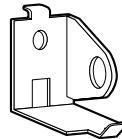
❖ Metal Fitting (A)



❖ Metal Fitting (B)



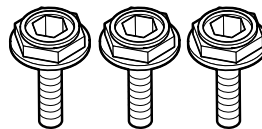
❖ Metal Fitting (C)



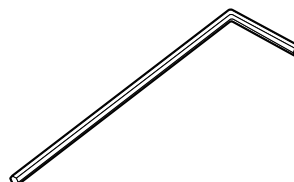
❖ Two Stoppers



❖ Three Screws



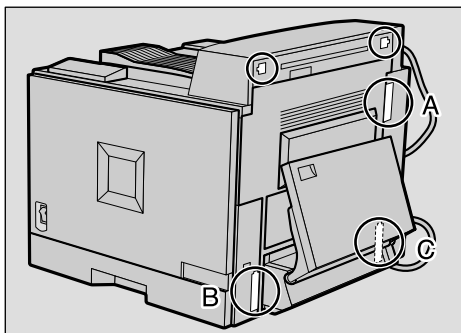
❖ Wrench



📌 Note

- Confirm the difference in shape for metal fittings (A), (B) and (C).

- 4** Remove the two small covers from the Interchange Unit and the three small covers (A, B, C) from the printer.

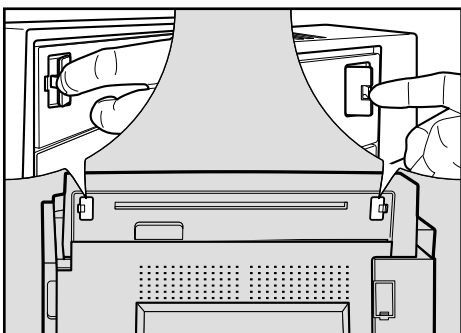


ZESP056J

Note

- ❑ The metal fittings (A), (B) and (C) are to be used for each place shown in the illustration.

- 1** Remove the two small covers from the Interchange Unit.

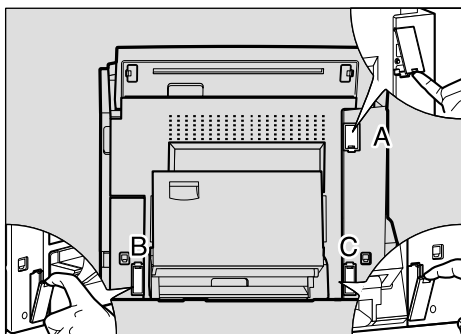


ZESP133J

Note

- ❑ The removed covers will not be used.

- 2** Remove the three small covers (A, B, C) from the printer.



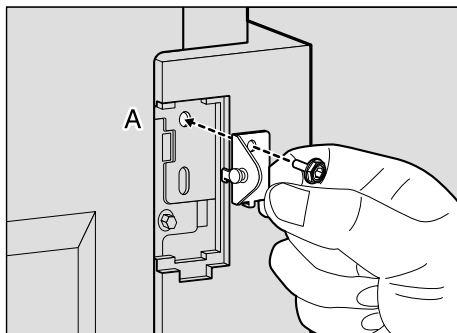
ZESP260J

Note

- ❑ The removed covers will not be used.

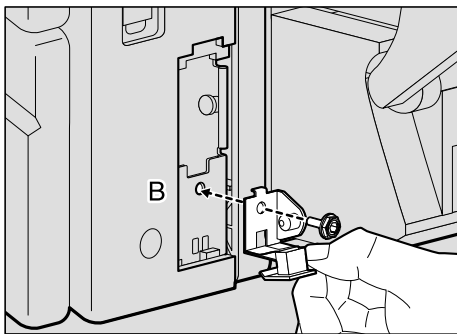
- 5** Attach the metal fittings using the wrench and the screws supplied.

- 1** Attach the metal fitting (A) to the (A) shown in the illustration of step 4.



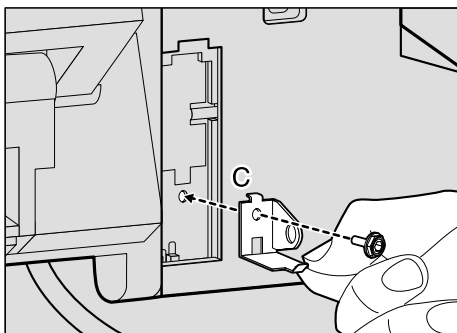
ZESP057J

- 2** Attach the metal fitting (B) to the (B) shown in the illustration of step 4.



ZESP058J

- 3** Attach the metal fitting (C) to the (C) shown in the illustration of step 4.

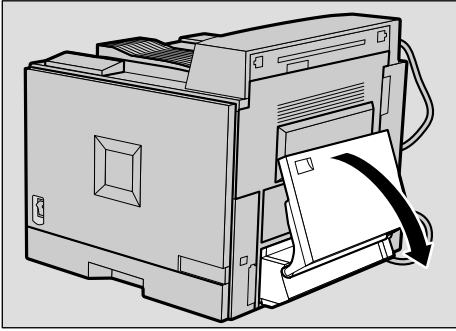


ZESP261J

Note

- ❑ Store the wrench in a secure place so that you will not lose it.

6 Open the Bypass Tray.



ZESP177J

Note

- ❑ Remove paper on the Bypass Tray to prevent them from falling.

7 From the right side of the printer, hold the Duplex Unit with both hands, and then insert its projections to the (B) and (C) on the printer over the Bypass Tray as shown in the illustration.



ZESP169J

8 Align the projections and dents on the Duplex Unit and the printer, and then slide the Duplex Unit to the right until it clicks into place.

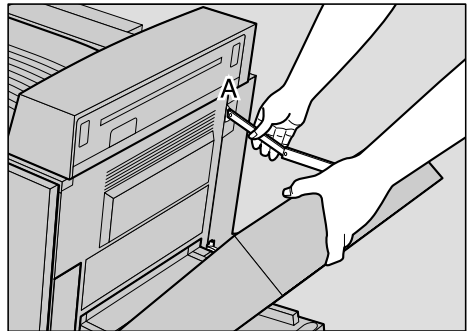


ZESP170J

Important

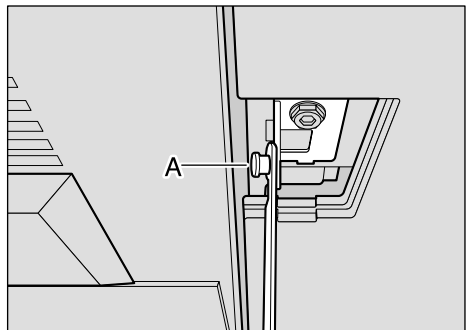
- ❑ Be sure that the projections and the dents are connected properly.

9 Extend the supporting bar on the Duplex Unit, and then connect it to the metal fitting (A) that has been attached to the printer.



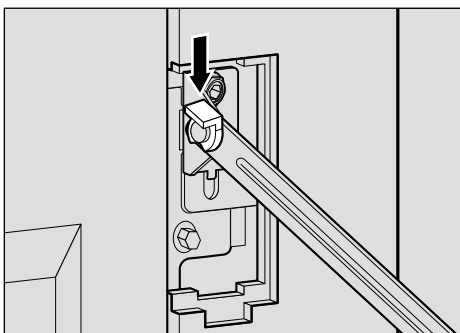
ZESP171J

Connect the bar firmly as shown in the illustration.



ZESP262J

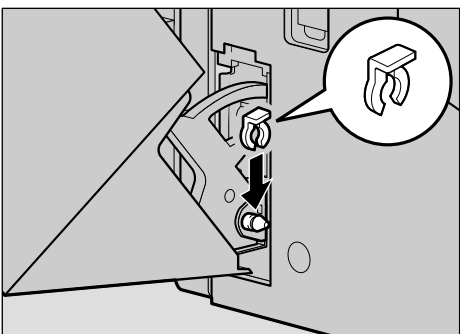
- 10** Attach one of the stoppers over the bar to fix the bar securely.



Important

- ❑ The stopper cannot be attached if the bar is not connected properly. If you cannot attach the stopper, go back to step **9** to connect it properly.

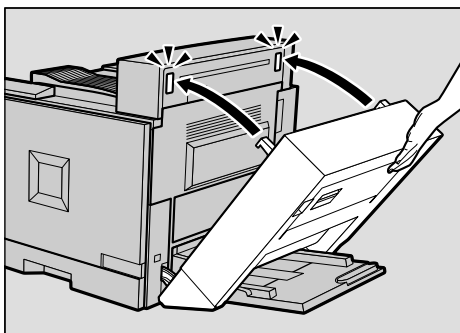
- 11** Attached the other stopper over the metal fitting (C).



Important

- ❑ The stopper cannot be attached if the Duplex Unit is not connected properly. If you cannot attach the stopper, go back to step **7** to connect it properly.

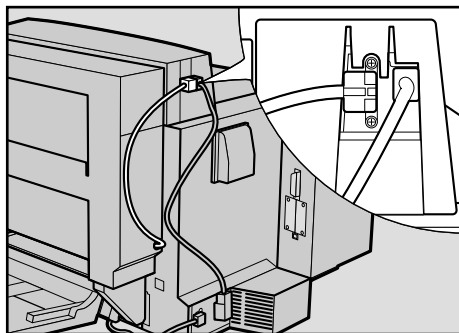
- 12** Slowly close the Duplex Unit.



Note

- ❑ If the Duplex Unit cannot be closed, go back to step **5**.

- 13** Remove the adhesive tape that is fastening the cable, and then connect it to the Interchange Unit.



- 14** Close the Bypass Tray.

Note

- ❑ After finishing installation, you can check whether the Duplex Unit is installed properly. Print the configuration page from the "List/Test Print" menu. If it is installed properly, you will see "Duplex Unit" under the "Options" list.
- ❑ If the Duplex Unit is not installed properly, reinstall from step **1**. If you cannot install it properly even after reinstallation, contact your sales or service representative.

Reference

See "Using the Control Panel" in the Administrator Reference for printing the configuration page.